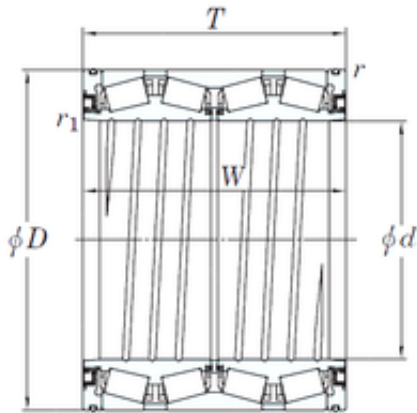




Timken BEARINGS INDUSTRY

KOYO 47TS483432 tapered roller bearings



Bearing No. 47TS483432

Size	240x338x320 mm
Bore Diameter	240 mm
Outer Diameter	338 mm
Width	320 mm
d	240 mm
D	338 mm
T	320 mm
r min.	3 mm
r1 min.	1 mm
W	320 mm
Weight	87,3 Kg
Basic dynamic load rating (C)	2430 kN
Basic static load rating (C0)	5890 kN
Calculation factor (e)	0,28
Calculation factor (Y2)	2,43

47TS483432 Bearing 2D drawings and 3D CAD models