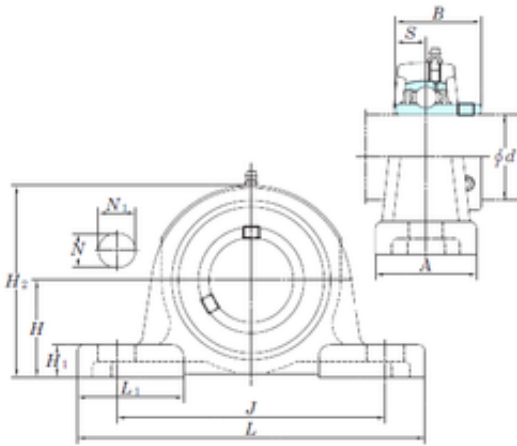




Timken BEARINGS INDUSTRY

KOYO UCPX13 bearing units

Bearing No. UCPX13



UCPX13 Bearing 2D drawings and 3D CAD models

Bore Diameter	65 mm
Width	74,6 mm
d	65 mm
A	83 mm
B	74,6 mm
H	76,2 mm
H1	28 mm
H2	155 mm
J	203 mm
L	286 mm
L1	88 mm
N	25 mm
N1	40 mm
S	30,2 mm
Bolt (G)	M20
Weight	8,1 Kg
Basic dynamic load rating (C)	62,2 kN
Basic static load rating (C0)	44,1 kN
Bearing No.	UCPX13
Bolt size	M20
Cr	62.2
C0r	44.1
f0	14.5
(Refer.)Unit mass(kg)	8.1
Nipple size	R1/8