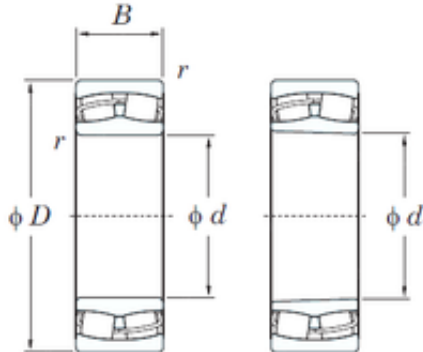




Timken BEARINGS INDUSTRY

40 mm x 90 mm x 23 mm KOYO 21308RHK
spherical roller bearings



Bearing No. 21308RHK

Size	40x90x23 mm
Bore Diameter	40 mm
Outer Diameter	90 mm
Width	23 mm
d	40 mm
D	90 mm
B	23 mm
C	23 mm
r min.	1,5 mm
da min.	48,5 mm
Da max.	81,5 mm
ra max.	1,5 mm
Weight	0,77 Kg
Basic dynamic load rating (C)	85,7 kN
Basic static load rating (C0)	95,5 kN
(Grease) Lubrication Speed	4100 r/min
(Oil) Lubrication Speed	5500 r/min
Calculation factor (e)	0,26
Calculation factor (Y0)	2,5
Calculation factor (Y1)	2,55

21308RHK Bearing 2D drawings and 3D CAD models