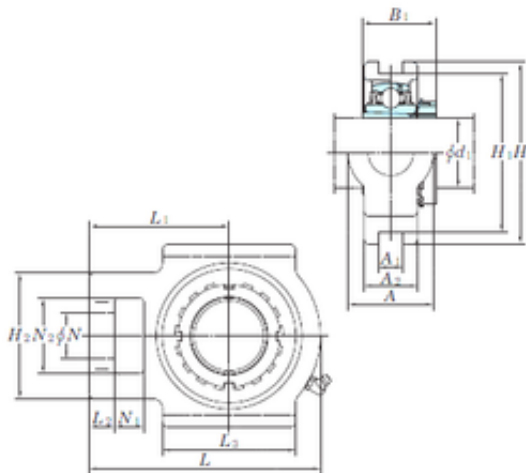




Timken BEARINGS INDUSTRY



KOYO UKT305 bearing units

Bearing No. UKT305

| | |
|-------------------------------|---------|
| Bore Diameter | 20 mm |
| d | 20 mm |
| L2 | 12 mm |
| L3 | 65 mm |
| A | 36 mm |
| A1 | 12 mm |
| B1 | 35 mm |
| H | 89 mm |
| H1 | 80 mm |
| H2 | 62 mm |
| L | 122 mm |
| L1 | 76 mm |
| N | 26 mm |
| N1 | 16 mm |
| A2 | 26 mm |
| N2 | 36 mm |
| Weight | 1,5 Kg |
| Basic dynamic load rating (C) | 21,2 kN |
| Basic static load rating (C0) | 10,9 kN |

UKT305 Bearing 2D drawings and 3D CAD models