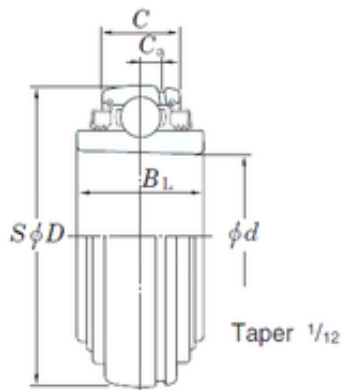




Timken BEARINGS INDUSTRY

45 mm x 100 mm x 38 mm KOYO UK309L3
deep groove ball bearings



Bearing No. UK309L3

Size	45x100x38 mm
Bore Diameter	45 mm
Outer Diameter	100 mm
Width	38 mm
d	45 mm
D	100 mm
B	38 mm
C	30 mm
C	8,5 mm
Weight	1,08 Kg
Basic dynamic load rating (C)	48,9 kN
Basic static load rating (C0)	29,5 kN

UK309L3 Bearing 2D drawings and 3D CAD models