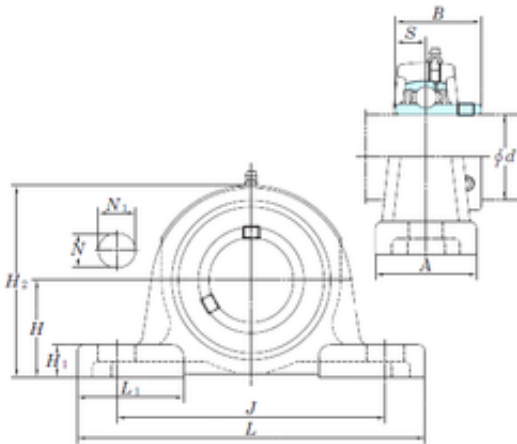




# Timken BEARINGS INDUSTRY

## KOYO UCPX09 bearing units

Bearing No. UCPX09



UCPX09 Bearing 2D drawings and 3D CAD models

Bore Diameter	45 mm
Width	51,6 mm
d	45 mm
A	67 mm
B	51,6 mm
H	58,7 mm
H1	21 mm
H2	116 mm
J	156 mm
L	222 mm
L1	71 mm
N	20 mm
N1	33 mm
S	19 mm
Bolt (G)	M16
Weight	3,7 Kg
Basic dynamic load rating (C)	35,1 kN
Basic static load rating (C0)	23,3 kN
Bearing No.	UCPX09
Bolt size	M16
Cr	35.1
C0r	23.3
f0	14.4
(Refer.)Unit mass(kg)	3.7
Nipple size	1/4-28UNF