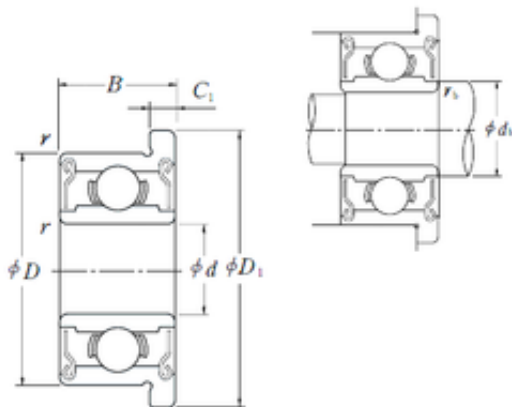




Timken BEARINGS INDUSTRY



9,525 mm x 22,225 mm x 7,142 mm ISO FR6ZZ
deep groove ball bearings

Bearing No. FR6ZZ

Size	9.525x22.225x7.142 mm
Bore Diameter	9,525 mm
Outer Diameter	22,225 mm
Width	7,142 mm
d	9,525 mm
D	22,225 mm
D1	24,613 mm
B	7,142 mm
C	7,142 mm
r min.	0,4 mm
C1	1,57 mm

FR6ZZ Bearing 2D drawings and 3D CAD models